

SWT3

The SWT/SWT3 series is our Wall Mount LED Andon Tower Light. It is flush mounted and bright with nearly 180° visibility.

MODEL TYPES

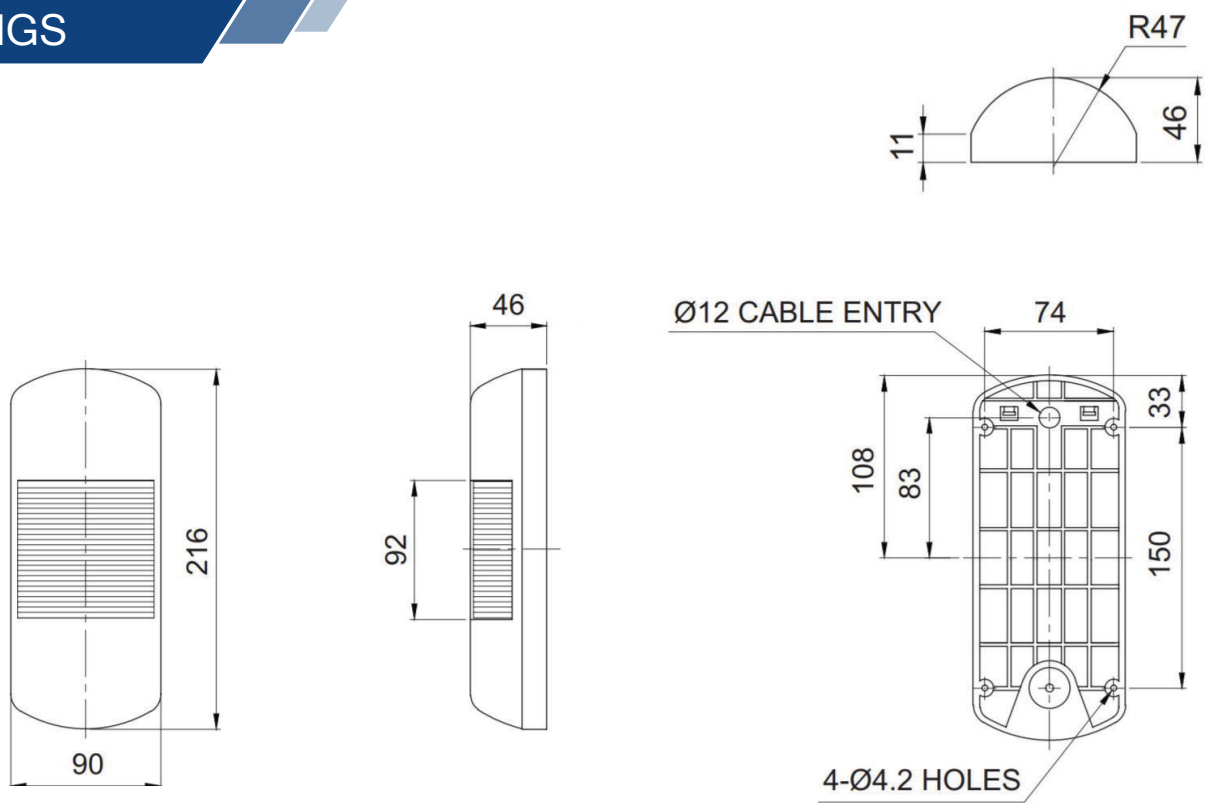
- SWT3-T - Continuous and Flashing 3 colors in 1 lens Beige
- SWT3-C - Continuous and Flashing 3 colors in 1 lens Chrome

FEATURES

- Low profile wall mount easily attaches to walls and minimizes damage
- Available in tan (beige) or chrome finish T = Tan C = Chrome
- Bright LED with a wide viewing angle
- LED fills double cut prism lens with diffusion filter
- SWT3 has optional full clear lens with 3 color backlit LEDs, Red, Amber, Green Only
- Optional Built-in Buzzer: 85dB
- CE Approved: IP54



DRAWINGS



740.917.5791



Sales@Signaworks.com



www.Signaworks.com

