

# Radial Alarm Horn & Xenon Strobe

UL Cl 1 Div 1, 115dB, 5 Joule

  
**SIGNAWORKS**  
www.signaworks.com



## MODEL TYPES

D1XC1X05R > Radial Alarm Horn & Xenon Strobe

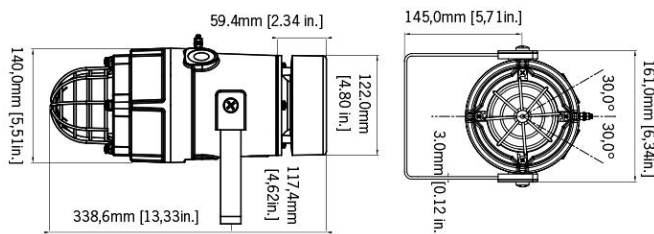
## FEATURES

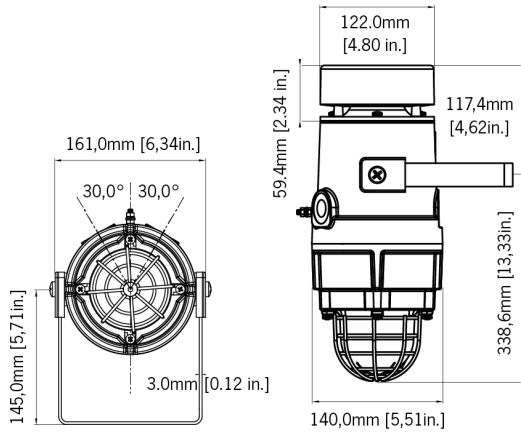
- > Automatic synchronization on multi-beacon & sounder systems.
- > User selectable strobe flash rates
- > Ratchet adjustable stainless steel 'U' bracket.
- > High output omni-directional alarm horn, up to 115dB(A)
- > Xenon strobe - private mode fire alarm use
- > Alarm horn - public mode fire alarm use
- > 4 remotely selectable alarm stages/channels
- > Positive or negative line stage/channel switching
- > Choice of 64 alarm tone frequencies
- > Compact form factor
- > Robust corrosion proof aluminum enclosure
- > Stainless steel fixings
- > Triple cable entries
- > Duplicate cable terminations
- > UL Approval

## ORDERING INFORMATION

Product Code (0)	> D1xC1X05R
Horn (1)	> R (omni-direction radial buzzer)
Voltage (2)	> DC024 (20-28V dc) , AC115 (115-120V ac) , AC230 (220-240V ac)
Cable Type (3)	> A (1x1/2'NPT & 2 x M20 x 1.5mm), B (1x1/2'NPT & 2 x 1/2'NPT), C (1x1/2'NPT & 2 x 3/4'NPT)
Adapter Mat. (4)	> B (Brass), N (Nickel Plated), S (Stainless Steel)
Bracket Mat. (5)	> 1 (A2 304 Stainless Steel), 2 (A4 316 Stainless Steel)
Product Version (6)	> A1 ( Gas env. Class I) , D1 (Dust env. Class II)
Enclosure Color (7)	> G (Grey), R (Red)
Lens Color (8)	> R (Red), A (Amber), G (Green), B (Blue), C (Clear), Y (Yellow), M (Magenta)
Example	> ordering - (0) (1) (2) (3) (4) (5) (6) (7) (8) D1xC1X05R-R-AC230-A-B-1-A1-G-R

## DIMENSIONS





## Specification

### Alarm Horn:

Maximum output:	115dB(A) @ 1 metre [106dB(A) @ 10ft/3m]
Nominal output:	110dB(A) @ 1m +/- 3dB - Tone 2 [101dB(A) @ 10ft/3m]
No. of tones:	64 (UKOOA / PFEER compliant)
No. of stages:	4
Volume control:	Adjustable -12dB(A)
Effective range:	125m/410ft @ 1KHz
Supply Voltages:	24Vdc; 115Vac; 230Vac
Stage switching:	DC units: negative or positive AC units: common supply line

### Strobe Beacon:

Energy:	5 Joules (5Ws)
Flash rates:	Option 1: 1Hz (60 fpm) Option 2: 1.5Hz (90 fpm) Option 3: Double Strike
Peak Candela:	500,000 cd - calculated from energy (J)
Effective Intensity:	250 cd - calculated from energy (J)
Peak Candela:	46,976 cd* - measured ref. to I.E.S.
Effective Intensity:	143 cd* - measured ref. to I.E.S.
Lens colours:	Amber, Blue, Clear, Green, Magenta, Red & Yellow
Tube life:	Emissions are reduced to 70% after 8 million flashes

### General:

Ingress protection:	EN60529: IP66 UL50E / NEMA250: 4 / 4X / 3R / 13
Enclosure material:	Marine grade aluminium LM6- copper free Chromated & powder coated - corrosion proof
Colour:	Red (RAL3000), Grey (RAL7038)
Cable entries:	1 x 1/2"NPT & 2 x M20 x 1.5mm 1 x 1/2"NPT & 2 x 1/2"NPT 1 x 1/2"NPT & 2 x 3/4"NPT
Terminals:	0.5 - 2.5mm <sup>2</sup> (20-14 AWG)
Grounding stud:	M5
Operating temp:	24Vdc & 115Vac: -40° to +70°C [-40° to +158°F] 230Vac: -40° to +55°C [-40° to +131°F]
Storage temp:	-50° to +70°C [-58° to +158°F]
Relative humidity:	90% at 20°C [68°F]
Weight:	4.9kg/10.9lbs

## Part Codes

Version:	Part code:	
Product type:	D1xC1X05	
Horn type:	R	Omni-directional radial horn
Voltage:	DC024	20-28V dc
	AC115	110-120V ac
	AC230	220-240V ac
Cable Entry Type: [e]	A	1 x 1/2"NPT & 2 x M20 x 1.5mm
	B	1 x 1/2"NPT & 2 x 1/2"NPT
	C	1 x 1/2"NPT & 2 x 3/4"NPT
Adaptor/Stopping plug material: [m]	B	Brass
	N	Nickel Plated
	S	Stainless Steel
Bracket material: [s]	1	A2 304 Stainless Steel
	2	A4 316 Stainless Steel
Product version: [v]	A1	Gas environments Class I/Zone1
	D1	Dust environments Class II/Zone 20
Enclosure colour: [x]	G	Grey RAL7038
	R	Red RAL3000
Lens colour: [y]	A, B, C, G	Amber, Blue, Clear, Green
	M, R, Y	Magenta, Red, Yellow
Example:	D1xC1X05RAC230 [e][m][s][v][x][y] D1xC1X05RAC230AB1A1R/A	

## Ratings:

A1:	Gas version
NEC / CEC:	Class I Div 1 ABCD T5/T6 Ta -40°C to +70/+55°C
	Class I Div 2 ABCD T5/T6 Ta -40°C to +70/+55°C
NEC:	Class I Zone 1, 2 IIC T5/T6 Ta -40°C to +70/+55°C
D1:	Dust version
NEC / CEC:	Class II Div 1 FG T4/T4A Ta -40°C to +55/+40°C
	Class II Div 2 FG T4/T4A Ta -40°C to +55/+40°C
	Class III Div 1&2
NEC:	Zone 20, 21, 22 IIIB T4/T4A Ta -40°C to +55/+40°C

## Current Consumption

Voltage:	Range:	Alarm Horn	Xenon Strobe	Combined
24V dc	20-28Vdc	217mA	322mA	539mA
115V ac	110-120Vac 50/60Hz	76mA	129mA	206mA
230V ac	220-240Vac 50/60Hz	53mA	79mA	132mA

