

# ATEX Audible & Strobe

UL Cl 1 Div 2, 112dB, 5 Joule

  
**SIGNAWORKS**  
www.signaworks.com



## MODEL TYPES

E2XCS112-5 > Combined Alarm Sounder and Xenon Strobe Beacon

## FEATURES

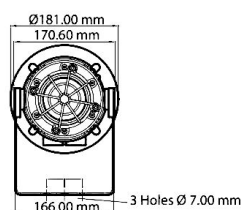
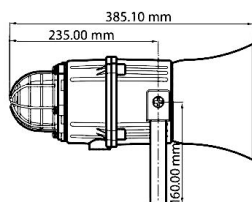
- > Very large termination area.
- > Ratchet adjustable stainless 'U' bracket.
- > Stainless Steel dome guard as standard
- > xenon tube mechanically secured against vibration/shock
- > User replaceable Xenon tube assembly.
- > Automatic synchronization on multi-sounder system.
- > ATEX certificate: DEMKO 06 ATEX 0421554
- > UL File ref: E230764. Class 1, Div 2

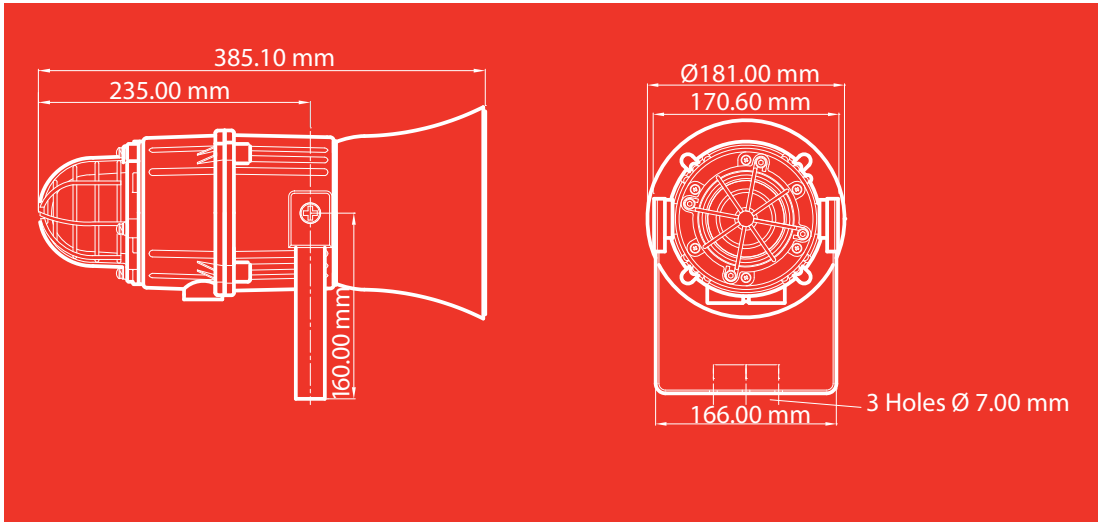
## DETAILS

### ALARM SOUNDER

VERSION	VOLTAGE RANGE	CURRENT	VOLTAGE RANGE	CURRENT
24V dc	10-30V dc	248mA	20-28V dc	275mA
48V dc	38-58V dc	146mA	45-58V dc	145mA
115V ac 50/60Hz	+/-10%	104mA	+/-10%	80mA
230V ac 50/60Hz	+/-10%	54mA	+/-10%	30mA

## DIMENSIONS





**Specification:**

**Alarm Sounder:**

Maximum output:	116dB(A) @ 1 metre
Nominal output:	311xdB(A) @ 1m +/- 3dB - Tone 2
No. of tones:	45 (UKOOA/PFEER compliant)
No. of stages:	3
Volume control:	Max. 113dB(A); Min. 105dB(A) - Tone 2
Effective range:	100m @ 1KHz

**Beacon:**

Energy:	5 Joules (5Ws)
Flash rate:	1Hz (60 fpm)
Peak Candela:	31,950 cd
Effective Intensity cd:	101 cd*
Lens colours:	Amber, Blue, Clear, Green, Red & Yellow

**General:**

Voltages DC:	24vdc; 48vdc
Voltages AC:	115vac; 230vac
Ingress protection:	ATEX: IP66 & IP67 UL: Type 4, 4X & 13
Housing material:	UL94V0 PPS & ABS
ATEX cable entries:	2 x M20 ISO cable gland entries - with 1 blanking plug.
UL cable entries:	1 x 1/2"NPT cable gland entry - with 0.5m flying leads.
Terminals (ATEX):	0.5 to 4.0mm <sup>2</sup> - In & Out
Weight :	DC: 3.00Kg AC: 3.50kg

\*Candela measurements representative of performance with clear lens at optimum voltage. SPL readings are at nominal voltage, typically +/-3dB and are for indication purposes only. Where applicable, reduce outputs by 5dB when a 10-30vdc unit is supplied 12vdc.

**Stage1 Frequency Description**

Stage1	Frequency Description	dB @ 1m*	Stage2	Stage3
Tone 1	340 Hz Continuous	107dB(A) @ 1m	Tone 2	Tone 5
Tone 2	800/1000Hz @ 0.25 sec Alternating - BS5839 Alarm tone	113dB(A) @ 1m	Tone 17	Tone 5
Tone 3	500/1200Hz @ 0.3Hz 0.5 sec Slow Whoop - NEN 2575:2000	113dB(A) @ 1m	Tone 2	Tone 5
Tone 4	800/1000Hz @ 1Hz Sweeping	113dB(A) @ 1m	Tone 6	Tone 5
Tone 5	2400Hz Continuous	116dB(A) @ 1m	Tone 3	Tone 20
Tone 6	2400/2900Hz @ 7Hz Sweeping	114dB(A) @ 1m	Tone 7	Tone 5
Tone 7	2400/2900Hz @ 1Hz Sweeping	114dB(A) @ 1m	Tone 10	Tone 5
Tone 8	500/1200/500Hz @ 0.3Hz Sweeping	113dB(A) @ 1m	Tone 2	Tone 5
Tone 9	1200/500Hz @ 1Hz - DIN / PFEER P.T.A.P.	113dB(A) @ 1m	Tone 15	Tone 2
Tone 10	2400/2900Hz @ 2Hz Alternating	116dB(A) @ 1m	Tone 7	Tone 5
Tone 11	1000Hz @ 1Hz Intermittent	112dB(A) @ 1m	Tone 2	Tone 5
Tone 12	800/1000Hz @ 0.875Hz Alternating	112dB(A) @ 1m	Tone 4	Tone 5
Tone 13	2400Hz @ 1Hz Intermittent	116dB(A) @ 1m	Tone 15	Tone 5
Tone 14	800Hz 0.25sec on, 1 sec off Intermittent	113dB(A) @ 1m	Tone 4	Tone 5
Tone 15	800Hz Continuous	113dB(A) @ 1m	Tone 2	Tone 5
Tone 16	660Hz 150mS on, 150mS off Intermittent	109dB(A) @ 1m	Tone 18	Tone 5
Tone 17	544Hz (100mS)/440Hz (400mS) - AFNOR NF S 32-001	109dB(A) @ 1m	Tone 2	Tone 27
Tone 18	660Hz 1.8sec on, 1.8sec off Intermittent	109dB(A) @ 1m	Tone 2	Tone 5
Tone 19	1.4KHz-1.6KHz 1s, 1.6KHz-1.4KHz 0.5s - AFNOR NFC48-265	114dB(A) @ 1m	Tone 2	Tone 5
Tone 20	660Hz Continuous	109dB(A) @ 1m	Tone 2	Tone 5
Tone 21	554Hz/440Hz @ 1Hz Alternating	109dB(A) @ 1m	Tone 2	Tone 5
Tone 22	544Hz @ 0.875 sec. Intermittent	109dB(A) @ 1m	Tone 2	Tone 5
Tone 23	800Hz @ 2Hz Intermittent	113dB(A) @ 1m	Tone 6	Tone 5
Tone 24	800/1000Hz @ 50Hz Sweeping	112dB(A) @ 1m	Tone 29	Tone 5
Tone 25	2400/2900Hz @ 50Hz Sweeping	114dB(A) @ 1m	Tone 29	Tone 5
Tone 26	Bell	108dB(A) @ 1m	Tone 2	Tone 15
Tone 27	554Hz Continuous	109dB(A) @ 1m	Tone 26	Tone 5
Tone 28	440Hz Continuous	106dB(A) @ 1m	Tone 2	Tone 5
Tone 29	800/1000Hz @ 7Hz Sweeping	112dB(A) @ 1m	Tone 7	Tone 5
Tone 30	300Hz Continuous	107dB(A) @ 1m	Tone 2	Tone 5
Tone 31	660/1200Hz @ 1Hz Sweeping	112dB(A) @ 1m	Tone 26	Tone 5
Tone 32	Two tone chime.	108dB(A) @ 1m	Tone 26	Tone 15
Tone 33	745Hz @ 1Hz Intermittent	109dB(A) @ 1m	Tone 2	Tone 5
Tone 34	1000 & 2000Hz @ 0.5 sec Alternating - Singapore	109dB(A) @ 1m	Tone 38	Tone 45
Tone 35	420Hz @ 0.625 sec Australian Alert - AS2220	114dB(A) @ 1m	Tone 36	Tone 5
Tone 36	500-1200Hz 3.75sec /0.25sec. Australian Evac. - AS2220	108dB(A) @ 1m	Tone 35	Tone 5
Tone 37	1000Hz Continuous - PFEER Toxic Gas	113dB(A) @ 1m	Tone 9	Tone 45
Tone 38	2000Hz Continuous	112dB(A) @ 1m	Tone 34	Tone 45
Tone 39	800Hz 0.25sec on, 1 sec off Intermittent	114dB(A) @ 1m	Tone 23	Tone 17
Tone 40	544Hz (100mS)/440Hz (400mS) - AFNOR NF S 32-001	113dB(A) @ 1m	Tone 31	Tone 27
Tone 41	Motor Siren - slow rise to 1200 Hz	112dB(A) @ 1m	Tone 2	Tone 5
Tone 42	Motor Siren - slow rise to 800 Hz	114dB(A) @ 1m	Tone 2	Tone 5
Tone 43	1200 Hz Continuous	113dB(A) @ 1m	Tone 2	Tone 5
Tone 44	Motor Siren - slow rise to 2400 Hz	116dB(A) @ 1m	Tone 2	Tone 5
Tone 45	1KHz 1s on, 1s off Intermittent - PFEER Gen. Alarm	112dB(A) @ 1m	Tone 38	Tone 34

