



The TL8 is our standard 8 inch LED Industrial Traffic Light. It has a sturdy black polycarbonate housing to ensure durability in harsh weather environments. The TL8 is suited for use in truck dock bays, fork lift intersections, and roads & parking lots. It has 90 bright LED's to ensure maximum visibility.

MODEL TYPES

- TL8-1-2 - 8 inch, 1 light section, Red & Green, Traffic Light
- TL8-1XA - 8 inch, 1 light, Red X & Green Arrow, Traffic Light

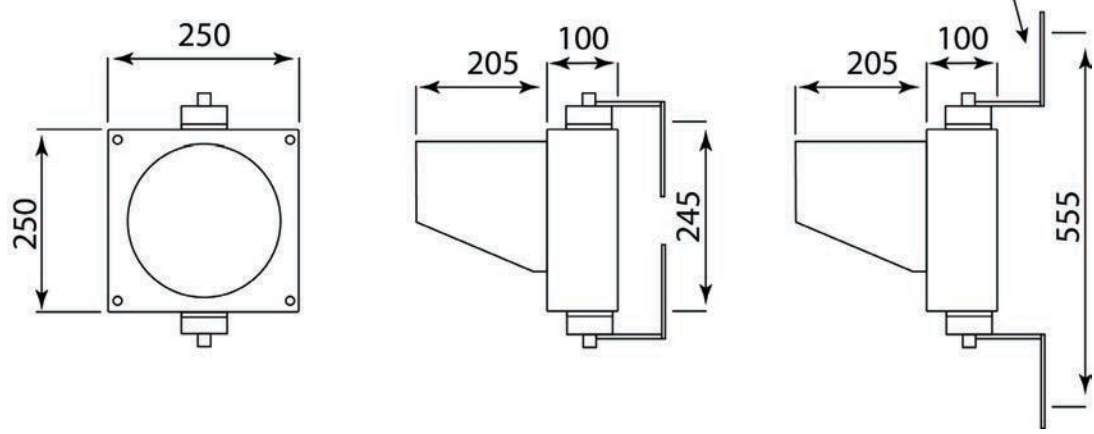
FEATURES

- 90 LED's per light section provides excellent brightness
- Durable aluminum housing for indoor/outdoor applications
- Moisture and dust tight multilayer seal protect lenses from the elements
- IP 55 rated, waterproof housing
- Up to 90% of energy savings compared to incandescent bulbs
- Over 50,000 hours of usage
- All models are CE compliant
- Includes bracket for various mounting options
- 2 Year Warranty



DRAWINGS

TL8 - 1 Light



740.917.5791



Sales@Signaworks.com



www.Signaworks.com

