

The LP/LT Strobe Light is our standard strobe light. This light gives you bright xenon flash output in a compact package. The LP/LT strobe light is weatherproof and suitable for use in manufacturing, assembly, laboratory and office environments.



## MODEL TYPES

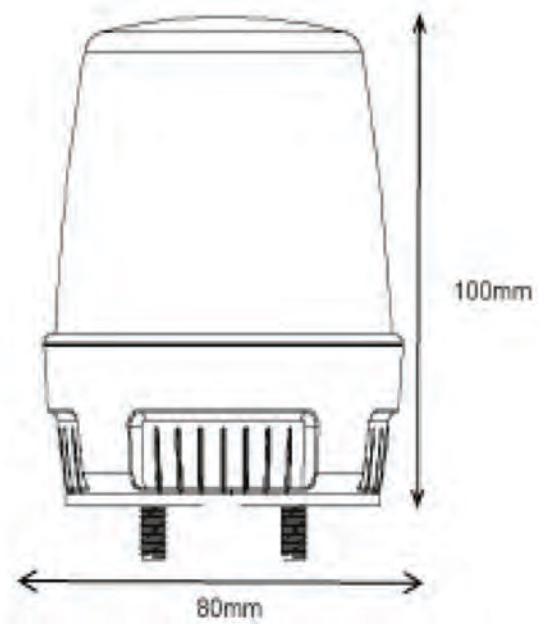
LT - Tall Standard Strobe

## FEATURES

- Bright light with low power consumption
- 500 mm (19.6 in) PVC jacketed leads
- Transient voltage and reverse polarity protection
- Multi-voltage (10-100 VDC, 20-72 VAC), 110 and 220 AC models
- LP: 2 Watt output; LT: 5 Watt output (.5 and 1 watt available upon request)
- IP67 rated (fully weatherproof), gasket included
- All models are CE compliant
- 12 month guarantee



## DRAWINGS



740.917.5791



Sales@Signaworks.com



www.Signaworks.com

