

Alarm Sounder

UL Cl 1 Div 1, Alarm Sounder 125dB


SIGNAWORKS
www.signaworks.com

MODEL TYPES

D1X S2F > Alarm Horn Sounder

FEATURES

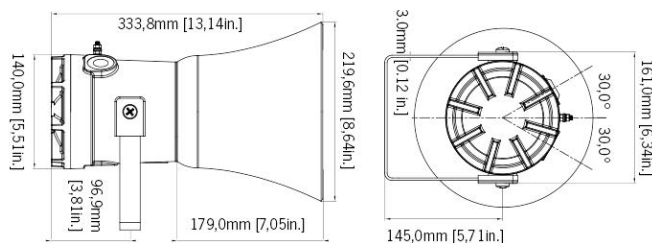
- > High output, up to 125dB(A)
- > Public mode fire alarm use
- > 4 remotely selectable alarm stages/channels
- > Positive or negative line stage/channel switching
- > Choice of 64 alarm tone frequencies
- > Automatic synchronization on multi-sounder system
- > Continuously rated
- > Compact form factor
- > Robust corrosion proof aluminum enclosure
- > Stainless steel fixings
- > Triple cable entries
- > Duplicate cable terminations (in & out for daisy-chain installations)
- > Available with custom tone configurations and frequencies
- > UL Approval

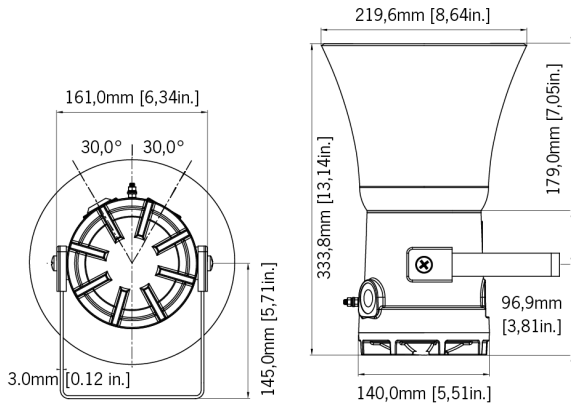


ORDERING INFORMATION

Product Code (0)	> D1xS2F
Horn (1)	> R (omni-direction radial buzzer)
Voltage (2)	> DC024 (20-28V dc) , AC115 (115-120V ac) , AC230 (220-240V ac)
Cable Type (3)	> A (1x1/2'NPT & 2 x M20 x 1.5mm), B (1x1/2'NPT & 2 x 1/2'NPT), C (1x1/2'NPT & 2 x 3/4'NPT)
Adapter Mat. (4)	> B (Brass), N (Nickel Plated), S (Stainless Steel)
Bracket Mat. (5)	> 1 (A2 304 Stainless Steel), 2 (A4 316 Stainless Steel)
Product Version (6)	> A1 (Gas env. Class I) , D1 (Dust env. Class II)
Enclosure Color (7)	> G (Grey), R (Red)
Lens Color (8)	> R (Red), A (Amber), G (Green), B (Blue), C (Clear), Y (Yellow), M (Magenta)
Example	> ordering - (0) (1) (2) (3) (4) (5) (6) (7) (8) D1xS2F-R-AC230-A-B-1-A1-G-R

DIMENSIONS





Specification

Maximum output:	125dB(A) @ 1 metre [116dB(A) @ 10ft/3m]
Nominal output:	121dB(A) @ 1m +/- 3dB - Tone 35 [112dB(A) @ 10ft/3m]
No. of tones:	64 (UKOOA / PFEER compliant)
No. of stages:	4
Volume control:	Adjustable -12 dB(A)
Effective range:	200m/656ft @ 1KHz
Voltages DC:	24V dc (10-30V dc)
Voltages AC:	110-240V ac 50/60Hz
Stage switching:	DC units: negative or positive AC units: common supply line
Ingress protection:	EN60529: IP66 UL50E / NEMA250: 4 / 4X / 3R / 13
Enclosure material:	Marine grade aluminium LM6- copper free Chromated & powder coated - corrosion proof
Colour:	Red (RAL3000), Grey (RAL7038)
Cable entries:	1 x 1/2" NPT & 2 x M20 x 1.5mm 1 x 1/2" NPT & 2 x 1/2" NPT 1 x 1/2" NPT & 2 x 3/4" NPT
Terminals:	0.5 - 2.5mm ² (20-14 AWG)
Grounding stud:	M5
Operating temp:	-40° to +70°C [-40° to +158°F]
Storage temp:	-50° to +70°C [-58° to +158°F]
Relative humidity:	90% at 20°C [68°F]
Weight:	4.3kg/9.5lbs

Part Codes

Version:	Part code:
Product type:	D1xS2
Horn type:	F Flare reentrant horn
Voltage:	DC024 10-30V dc AC230 110-240V ac
Cable Entry Type:[e] A	1 x 1/2" NPT & 2 x M20 x 1.5mm
B	1 x 1/2" NPT & 2 x 1/2" NPT
C	1 x 1/2" NPT & 2 x 3/4" NPT
Adaptor/Stopping plug material: [m]	B Brass N Nickel Plated S Stainless Steel
Bracket material: [s]	1 A2 304 Stainless Steel 2 A4 316 Stainless Steel
Product version: [v]	A1 Gas environments Class I/Zone1 D1 Dust environments Class II/Zone 20
Enclosure colour: [x]	G Grey RAL7038 R Red RAL3000
Example:	D1xS2FAC230 [e][m][s][v][x] D1xS2FAC230AB1A1R

Ratings:

A1:	Gas version
NEC / CEC:	Class I Div 1 ABCD T6 Ta -40°C to +70°C Class I Div 2 ABCD T6 Ta -40°C to +70°C
NEC:	Class I Zone 1 IIC T6 Ta -40°C to +70°C
D1:	Dust version
NEC / CEC:	Class II Div 1 FG T6 Ta -40°C to +70°C Class II Div 2 FG T6 Ta -40°C to +70°C Class III Div 1&2
NEC:	Zone 20 IIIB Ta -40°C to +70°C

Alarm Sounder

Version:	Voltage:	Current:
10-30V dc	24V dc	923mA
110-240V ac	50/60Hz 115V ac	267mA
110-240V ac	50/60Hz 230V ac	159mA

Tone table

S 1	Description	S 2	S 3	S 4	S 1	Description	S 2	S 3	S 4
T 1	1000 Continuous - PFEER Toxic Gas	Any S1	T 2	T 44	T 33	800 (0.25s on, 1.00s off) Intermittent	Any S1	T 24	T 8
T 2	1200/500 @ 1Hz Sweeping - DIN / PFEER P.T.A.P.	Any S1	T 3	T 44	T 34	800 @ 2Hz (0.25s on, 0.25s off) - IMO code 3...	Any S1	T 24	T 8
T 3	1000 @ 0.5Hz (1s on, 1s off) Intermittent - P...	Any S1	T 2	T 44	T 35	1000 @ 1Hz (0.50s on, 0.50s off) Intermittent	Any S1	T 24	T 8
T 4	1.4KH-1.6KHz 1s, 1.6KHz-1.4KHz 0.5s - NF C 48...	Any S1	T 24	T 1	T 36	2400 @ 1Hz (0.50s on, 0.50s off) Intermittent	Any S1	T 24	T 8
T 5	544(100mS)/440 (400mS) - NF S 32-001	Any S1	T 19	T 1	T 37	2900 @ 5Hz (0.10s on, 0.10s off) Intermittent	Any S1	T 24	T 8
T 6	1500/500 - (0.5s on , 0.5s off) x3 + 1s gap - ...	Any S1	T 44	T 1	T 38	363/518 @ 1Hz (0.50s / 0.50s) Alternating	Any S1	T 8	T 19
T 7	500-1500Hz Sweeping 2 sec on 1 sec off - AS4428	Any S1	T 44	T 1	T 39	450/500 @ 2Hz (0.25s / 0.25s) Alternating	Any S1	T 8	T 19
T 8	500/1200Hz @ 0.26Hz(3.3s on, 0.5s off) - NEN ...	Any S1	T 24	T 35	T 40	554/440 @ 1Hz (0.50s / 0.50s) Alternating	Any S1	T 24	T 19
T 9	1000 (1s on, 1s off)x7 + (7s on, 1s off) - IM...	Any S1	T 34	T 1	T 41	554/440 @ 0.65Hz (0.76s / 0.76s) Alternating	Any S1	T 8	T 19
T 10	1000 (1s on, 1s off)x7 + (7s on, 1s off) - IM...	Any S1	T 34	T 1	T 42	561/760 @ 0.83Hz (0.60s / 0.60s) Alternating	Any S1	T 8	T 19
T 11	420(0.5s on, 0.5s off)x3 + 1s gap - ISO 8201 ...	Any S1	T 1	T 8	T 43	780/600 @ 0.96Hz (0.52s / 0.52s) Alternating	Any S1	T 8	T 19
T 12	1000(0.5s on, 0.5s off)x3 + 1s gap - ISO 8201...	Any S1	T 1	T 8	T 44	800/1000 @ 2Hz (0.25s / 0.25s) Alternating	Any S1	T 24	T 19
T 13	422/775 - (0.85 on, 0.5 off) x3 + 1s gap - ...	Any S1	T 1	T 8	T 45	970/800 @ 2Hz (0.25s / 0.25s) Alternating	Any S1	T 8	T 19
T 14	1000/2000 @ 1Hz - Singapore	Any S1	T 3	T 35	T 46	800/1000 @ 0.875Hz (0.57s / 0.57s) Alternating	Any S1	T 24	T 19
T 15	300 Continuous	Any S1	T 24	T 35	T 47	2400/2900 @ 2Hz (0.25s / 0.25s) Alternating	Any S1	T 24	T 19
T 16	440 Continuous	Any S1	T 24	T 35	T 48	500/1200 @ 0.3Hz (1.67s / 1.67s) Sweeping	Any S1	T 24	T 12
T 17	470 Continuous	Any S1	T 24	T 35	T 49	560/1055 @ 0.18Hz (2.73s / 2.73s) Sweeping	Any S1	T 24	T 12
T 18	500 Continuous - IMO code 2 (Low)	Any S1	T 24	T 35	T 50	560/1055 @ 3.3Hz (0.15s / 0.15s) Sweeping	Any S1	T 24	T 12
T 19	554 Continuous	Any S1	T 24	T 35	T 51	600/1250 @ 0.125Hz (4s / 4s) Sweeping	Any S1	T 24	T 12
T 20	660 Continuous	Any S1	T 24	T 35	T 52	660/1200 @ 1Hz (0.50s / 0.50s) Sweeping	Any S1	T 24	T 12
T 21	800 Continuous - IMO code 2 (High)	Any S1	T 24	T 35	T 53	800/1000 @ 1Hz (0.50s / 0.50s) Sweeping	Any S1	T 24	T 12

No liability is accepted for any consequence of the use of this document. The technical specification of this unit is subject to change without notice due to our policy of continual product development. All dimensions are approximate. This unit is sold subject to our standard conditions of sale.

1 Jul 2015