

Voice Enhanced Sounders

(see DC on pg. 2)

Nexus Voice Sounder (AC)



Features

- Choice of up to 4 messages
- Extensive message library or bespoke messages available
- Download messages in-house via built in USB port
- 110dB (A) tone and 90dB (A) message outputs
- Automatic synchronisation
- Robust construction; IP66 rated for outdoor environments
- Volume control - 20dB
- Sounder and beacon can be controlled separately

Overview

Nexus voice sounders combine normal sounder signals with a clear, synchronised voice message to help reduce confusion and distress during an active alarm.

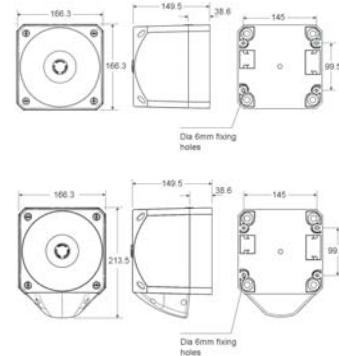
Standard units are available with 4 pre-programmed messages, selected from an extensive message library covering almost any conceivable application. Bespoke messages are also available on request.

Combined with a xenon beacon the Nexus sounder is DDA compliant giving a clear voice message, powerful alarm tone and high output beacon for clear and effective warning.

All Nexus voice sounders have a USB interface that allows special messages in WAV format to be downloaded onto the sounder from any PC, providing users with the flexibility of adding/removing messages in-house.

Applications

- Industrial alarm, Process control alarm



- Fire
- Security
- Industrial
- Railway/Marine
- Hazardous Area
- Public Warning

Part No.	Colours	Audibility at 1m (typical)	Tones (Up to)	Voltage (50/60Hz)	Current	
					Sounder	Beacon
18-980784	Red	110dB (A)	64	110/230V AC	30mA (max)	
18-980785	Red body Red lens, Xenon beacon	110dB (A)	64	110/230V AC	30mA (max)	70mA
18-980786	Red body Amber lens, Xenon beacon	110dB (A)	64	110/230V AC	30mA (max)	70mA
18-980787	Red body Green lens, Xenon beacon	110dB (A)	64	110/230V AC	30mA (max)	70mA
18-980788	Red body Blue lens, Xenon beacon	110dB (A)	64	110/230V AC	30mA (max)	70mA
18-980789	Red body Clear lens, Xenon beacon	110dB (A)	64	110/230V AC	30mA (max)	70mA

IP Rating: IP66 Rating: Continuous Frequency: See Tone Table Operating Temp: -25°C to +55°C
 Cable Entries: 5 Weight: Sounder 1.1kg; Sounder Beacon 1.2kg

HEI AP { ^AU[aaAWU[^||EUP I HEI AWK I EA FIE I 9F C I EA FIE I 8F Oac
 AW , , E a } a } [\ • E { A a ^ C • a } a } [\ • E {

Voice Enhanced Sounders

Nexus Voice Sounder (DC)



Features

- Choice of up to 7 messages via three volt free contacts
- Extensive message library or bespoke messages available
- Download messages in-house via built in USB port
- 110dB (A) tone and 90dB (A) message outputs
- Automatic synchronisation
- Robust construction; IP66 rated for outdoor environments
- Volume control - 20dB

Overview

Nexus voice sounders combine normal sounder signals with a clear, synchronised voice message to help reduce confusion and distress during an active alarm.

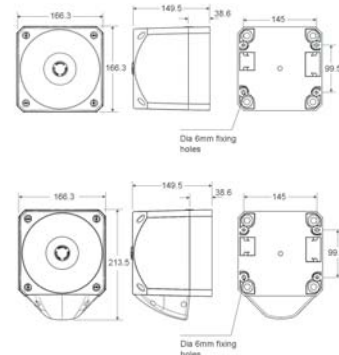
Standard units are available with 4 pre-programmed messages. Alternative messages can be selected from an extensive message library covering almost any conceivable application. Customised messages are also available on request.

All Nexus voice sounders have a USB port that allows special messages in WAV format to be downloaded onto the sounder from any PC, providing users with the flexibility of adding/removing messages in-house.

Combined with a LED or Xenon beacon the Nexus sounder is DDA compliant giving a clear voice message, powerful alarm tone and high output beacon for clear and effective warning.

Applications

- Fire alarm, Industrial alarm, Process control alarm



- Fire
- Security
- Industrial
- Railway/Marine
- Hazardous Area
- Public Warning

Part No.	Colours	Audibility (tone) at 1m (typical)	Tones (Up to)	Voltage (50/60Hz)	Current	
					Sounder	Beacon
18-980726	Red	110dB (A)	64	24V DC	30mA (max)	
18-980774	Red body Red lens, LED beacon	110dB (A)	64	24V DC	30mA (max)	18mA/65
18-980775	Red body Amber lens, LED beacon	110dB (A)	64	24V DC	30mA (max)	18mA/65
18-980776	Red body Green lens, LED beacon	110dB (A)	64	24V DC	30mA (max)	18mA/65
18-980777	Red body Blue lens, LED beacon	110dB (A)	64	24V DC	30mA (max)	18mA/65
18-980778	Red body Clear lens, LED beacon	110dB (A)	64	24V DC	30mA (max)	18mA/65
18-980779	Red body Red lens, Xenon beacon	110dB (A)	64	24V DC	30mA (max)	250mA
18-980780	Red body Amber lens, Xenon beacon	110dB (A)	64	24V DC	30mA (max)	250mA
18-980781	Red body Green lens, Xenon beacon	110dB (A)	64	24V DC	30mA (max)	250mA
18-980782	Red body Blue lens, Xenon beacon	110dB (A)	64	24V DC	30mA (max)	250mA
18-980783	Red body Clear lens, Xenon beacon	110dB (A)	64	24V DC	30mA (max)	250mA

IP Rating: IP66 Rating: Continuous Frequency: See Tone Table Operating Temp: -25°C to +70°C
 Cable Entries: 5 Weight: Sounder 1.1kg; Sounder Beacon 1.2kg