



LED Area Work Light Manual

QML150, QWSLK150(QBK01/02/03)/
QML250, QWSLK250(QBK01/02/03)


SIGNALWORKS
www.signalworks.com



General

Please read this manual carefully before installing this product for safe and long use.



Feature

- Cost effective maintenance, general purpose LED working lights which adopt an energy efficient SMD LED
- Excellent insulation as well as anti-vibration thanks to die cast aluminum enclosure
- Depending on the machine's condition, users can choose appropriate bracket among direct mounting, bracket and multiple joint type.
- Product of water-proof and anti-vibration with IP67 structure designed strong against vibration and impact.
- Material : Body-AL, Folded Bracket-SUS, Multi-Angle Articular Bracket-AL, Lens-Tempered Glass
- Protection Class : IP67



Specification

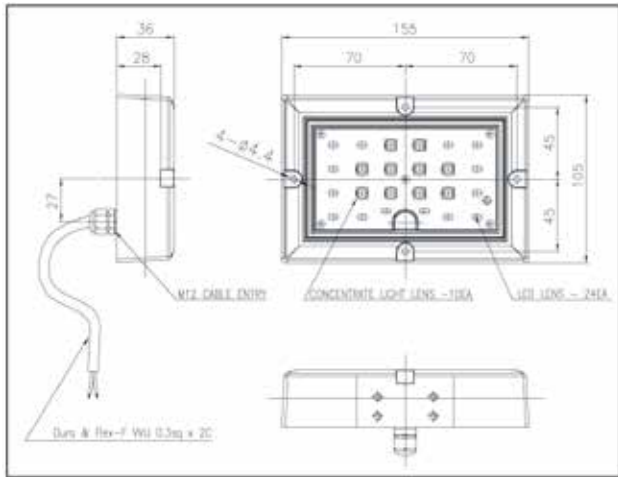
Model	Voltage	Current	Weight	Brightness (at 1M)	Color
QML150 QWSLK150 - QBK01 - QBK02 - QBK03	DC24V	MAX.0.58A	0.90Kg	517 Lux	White
QML250 QWSLK250 - QBK01 - QBK02 - QBK03		MAX.1.35A	1.00Kg	1050 Lux	

(Weight of above table is for QML150,QWSLK150 /QML250,QWSLK250.)

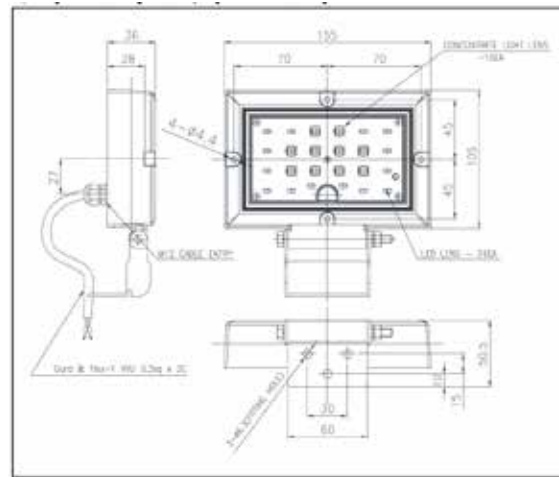


Dimensional Drawings

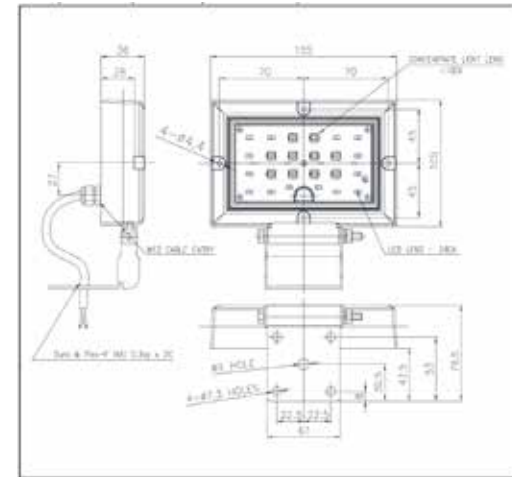
1) QML150 / QWSLK150



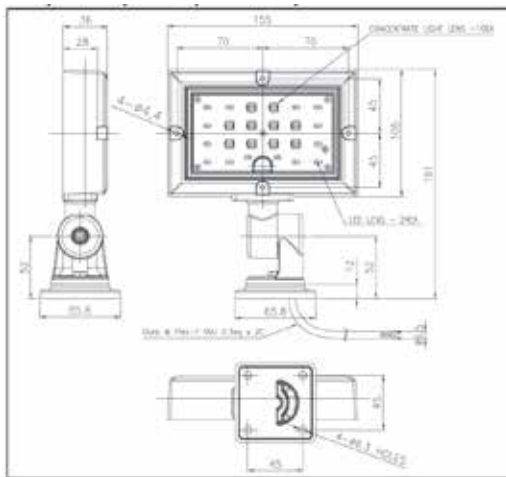
2) QML150-QBK01 / QWSLK150-QBK01



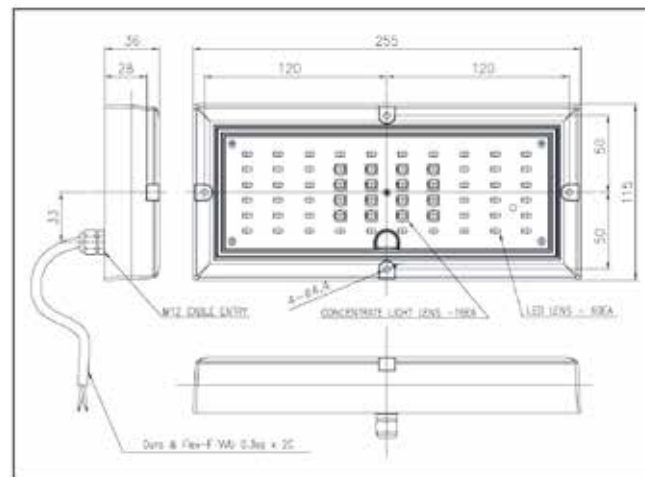
3) QML150-QBK02 / QWSLK150-QBK02



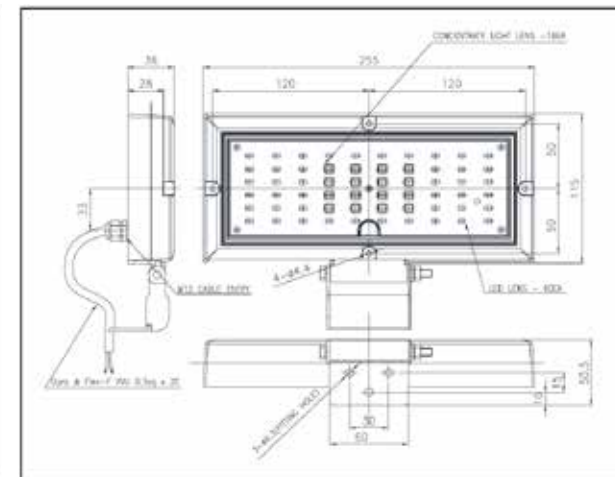
4) QML150-QBK03 / QWSLK150-QBK03



5) QML250 / QWSLK250



6) QML250-QBK01 / QWSLK250-QBK01





How to Wire

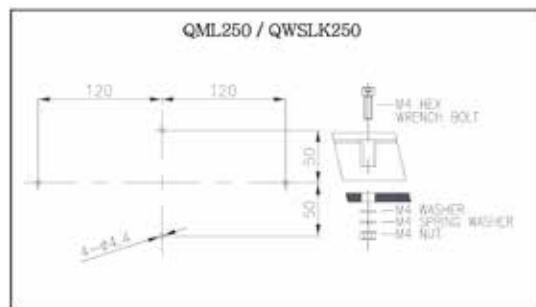
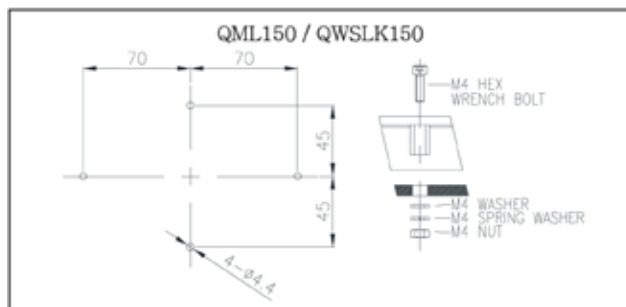
Dura & Flex-F VU 0.5sq x 2C wires come out.

- No need to consider polarity in case of DC powered products since its built-in bridge circuit.

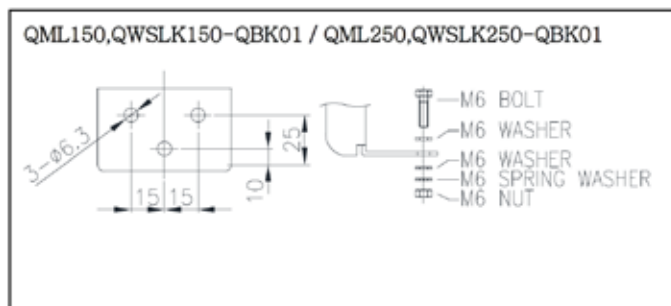


How to Install

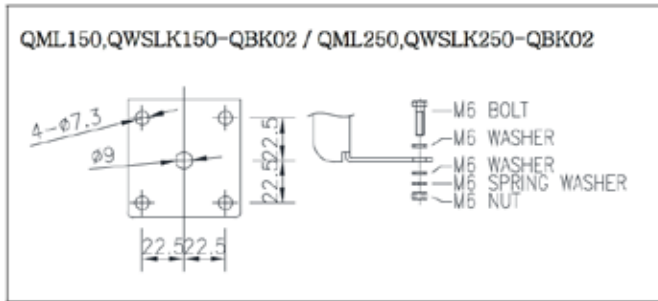
- This product is intended for indoor use. Any directions are fine once it is installed in indoor.
- The places where less moisture, dust, vibration and impact are preferred.
- Fix the product after drilling a fixing hole at suitable wall place where product will be attached. (See the external view drawing for fixing hole size.)
- QML150,QWSLK150 / QML250,QWSLK250 series required four units of M4 bolts for installation.



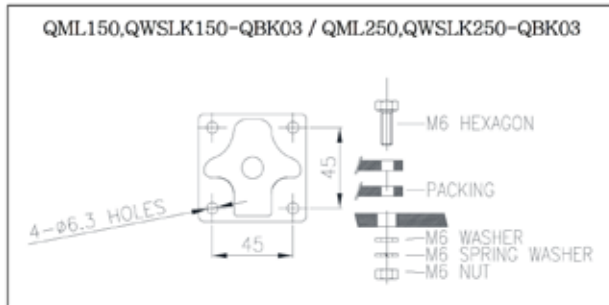
- QML150,QWSLK150-QBK01 / QML250,QWSLK250-QBK01 series required three units of M6 bolts for installation.
- Loosen the bolt [1] on the bracket when horizontal body angle adjustment is required. Please refer to product structure images.



- QML150,QWSLK150-QBK02 / QML250,QWSLK250-QBK02 series required four units of M6 bolts for installation.
- Loosen the bolt [1] on the bracket when horizontal body angle adjustment is required. Please refer to product structure images.



- QML150,QWSLK150-QBK03 / QML250,QWSLK250-QBK03 series required four units of M6 bolts for installation.
- Loosen the bolt [1] on the bracket when horizontal body angle adjustment is required. Please refer to product structure images.
- Loosen the bolt [2] on the bracket when vertical body angle adjustment is required. Please refer to product structure images.



- Spring washer assembly type and flange nut types are used in common. (For all models)



Caution

- This product is designed for water- & dust-proof type. Please make sure to sustain airtightness as tightening the joint bolts of each part necessarily when products are assembled or disassembled.
- It cause reducing product lifespan or malfunction if rated voltage is excessively increasing or decreasing. Rated voltage should be within $\pm 5\%$ of rated voltage.
- If lens or body of the product is contaminated by chemicals such as thinner, benzene, the product can be damaged, discolored or deformed. Please be careful.



Trouble Shooting

Symptoms	Reason	Solution
LED light does not emit partially	Supply higher voltage than standard requirement – Partial LED damage	Check voltage
Dim light	Supply lower voltage than standard requirement	Check voltage
No light	Wiring error/No power	Reconfirm wiring/ Confirm power supply



Contact

3046 Home Road. Powell, OH 43065
P: (740) 917-5791 F: (740) 917-5781
www.signaworks.com
sales@signaworks.com