

UL & ATEX Signal Light

UL & ATEX Explosion Proof Signal Light


SIGNAWORKS
www.signaworks.com



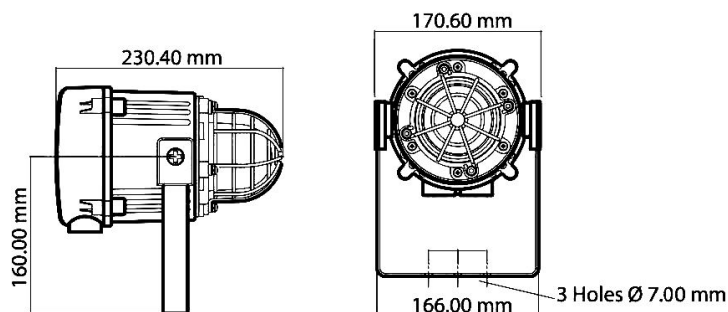
MODEL TYPES

- BEXBG05D > 5 Joule, Xenon Beacon
- BEXBG10D/15D > 10/15 Joule, Xenon Beacon
- BEXBG21D > 21 Joule, Xenon Beacon
- BEXBGL1D > LED Beacon
- BEXS110D > 110dB Alarm Sounder
- BEXS120D > 117dB Alarm Sounder

FEATURES

- > Manufactured from lightweight, high performance PPS which is corrosion proof and suitable for the harshest environments.
- > Very large termination area.
- > Ratchet adjustable stainless steel 'U' bracket.
- > Stainless Steel dome guard as standard
- > Xenon tube mechanically secured against vibration/shock.
- > User replaceable Xenon tube assembly
- > ATEX certificate: DEMKO 06 ATEX 0421554, EN 50021: 1999
- > UL File ref: E245313. Class 1, Div 2

DIMENSIONS



Specification

Please see the individual data sheet for each component signal for full specifications.

Plated Assembly Components

Part Code:	Approval:	Classification:
BExBG05D 5 Joule Xenon Beacon	ATEX/IECEX GOST-R	I 2G Ex d IIC T4 Ta. -50°C to +70°C II 2G Ex d IIC T5 Ta. -50°C to +55°C II 2G Ex d IIC T6 Ta. -50°C to +40°C II 2D Ex tD A21 IP67 T115°C based on max. Ta. 70°C 1ExdIICT4 Ta. -50° to +55°C DIP A21 Ta T4
BExBG10D/15D 10/15 Joule Xenon Beacon	ATEX/IECEX GOST-R	II 2G Ex d IIC T4 Ta. -50°C to +70°C II 2G Ex d IIC T5 Ta. -50°C to +40°C II 2D Ex tD A21 IP67 T125°C based on max. Ta. 70°C 1ExdIICT4 Ta. -50° to +55°C DIP A21 Ta T4
BExBG21D 21 Joule Xenon Beacon	ATEX/IECEX GOST-R	II 2G Ex d IIC T3 Ta. -50°C to +70°C II 2G Ex d IIC T4 Ta. -50°C to +55°C II 2D Ex tD A21 IP67 T200°C based on max. Ta. 70°C 1ExdIICT4 Ta. -50° to +55°C DIP A21 Ta T4
BExBGL1D L.E.D Array Beacon	ATEX/IECEX GOST-R	II 2G Ex d IIC T4 Ta. -50° to +70°C II 2G Ex d IIC T5 Ta. -50° to +40°C II 2D Ex tD A21 IP67 T120 Ta. +70°C based on max. Ta. 70°C 1ExdIICT5 Ta. -50° to +55°C 1ExdIICT4 Ta. -50° to +40°C DIP A21 Ta T4
BExS110D 110dB(A) Alarm Sounder	ATEX/IECEX GOST-R	II 2G Ex d IIB T4 Ta. -50° to +70°C II 2G Ex d IIC T4 Ta. -50° to +55°C 1ExdIICT4 Ta. -50° to +55°C
BExS120D 117dB(A) Alarm Sounder	ATEX/IECEX GOST-R	II 2G Ex d IIB T4 Ta. -50° to +70°C II 2G Ex d IIC T4 Ta. -50° to +55°C 1ExdIICT4 Ta. -50° to +55°C

Please contact the E2S sales department with your specific requirements.