

SWT



WALL MOUNT LED TOWER LIGHTS

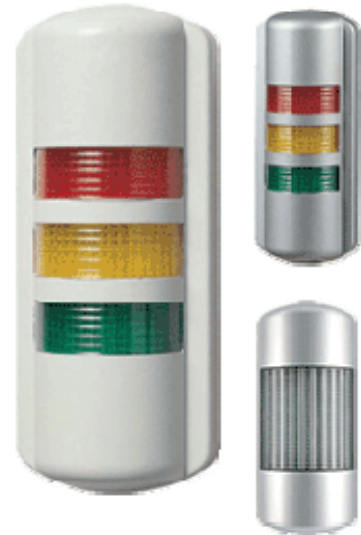


MODEL TYPES ::

- SWT-T** > Continuous and Beige
- SWT-C** > Continuous and Chrome
- SWTF-T** > Continuous and Flashing Beige
- SWTF-C** > Continuous and Flashing Chrome
- SWTZ-T** > Continuous and Flashing Beige with audible alarm (85dB at 1M)
- SWTZ-C** > Continuous and Flashing Chrome with audible alarm (85dB at 1M)
- SWTZ3-T** > Continuous and Flashing 3 colors in 1 lens Beige
- SWTZ3-C** > Continuous and Flashing 3 colors in 1 lens Chrome

FEATURES ::

- > Low profile wall mount easily attaches to walls and minimizes damage
- > Available in tan (beige) or chrome finish T = Tan C = Chrome
- > Bright LED with a wide viewing angle
- > LED fills double cut prism lens with diffusion filter
- > Standard colors:
 - 2-Color: Red, Green
 - 3-Color: Red, Amber, Green
 - Available: Red, Amber, Green, Blue, White
- > SWT3 has optional full clear lens with 3 color backlit LEDs, Red, Amber, Green Only
- > Optional Built-in Buzzer: 85dB
- > CE Approved: IP54



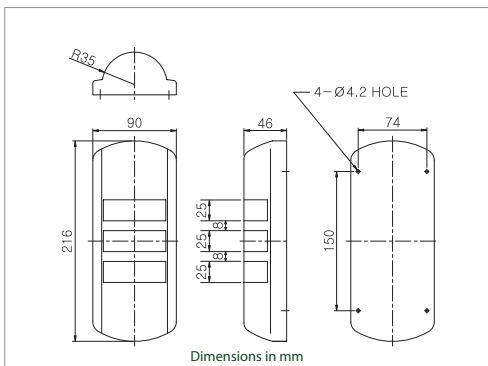
3 in 1 RAG Only

ORDERING INFORMATION ::

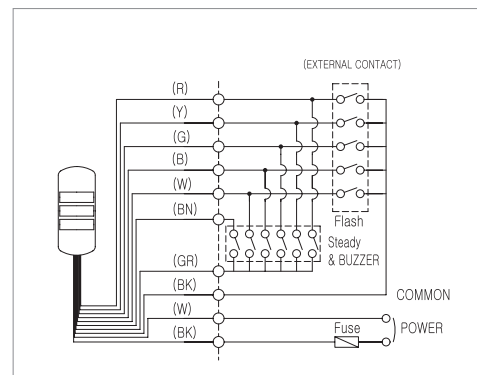
Model Type: SWT, SWTF, SWTZ, SWT3, SWTF3, SWTZ3
 Voltage: 12, 24, 110, 220
 Number of Lights: 1, 2, 3
 Example: SWTF-T-110-3 (3 Light, beige, 110V, Red, Amber, Green) Continuous and Flashing

Rated Voltage	Current (2-light)	Current (3-light)
12V AC/DC	0.140A	0.210A
24V AC/DC	0.140A	0.210A
110V AC	0.173A	0.258A
220V AC	0.087A	0.129A

DIMENSIONS



WIRING CONNECTIONS



> WWW.SIGNAWORKS.COM > SALES@SIGNAWORKS.COM

9013 Heritage Drive, Plain City, OH 43064 614-873-0980 F 614-873-0982