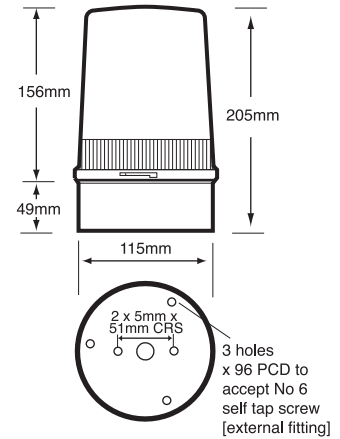


**BEACONS**



Industrial LED  
Flashing | Rotating | Static Beacons >  
LED201/200 Series

Product overview

The LED201/200 Series incorporates 144, ultra bright single colour LEDs. These beacons offer long life, low current consumption and are

virtually maintenance free. Suitable for fire, security and industrial applications. The LED201/200 offers static, flashing or rotating options by use of a jumper switch.

**Features**

- Long Life
- Continuously rated
- Suitable for surface or wall mounting
- Optional wall bracket & protective guard available - see accessory page
- Suitable for conduit BESA box mounting
- 360° visibility
- IP65

**Material**

- UV Stable Polycarbonate Lens
- UV Stable ABS Plastic Base



Code No:	Voltage:	Light Source:	Current:		
			Flashing	Rotating	Static
LED201-02	24v Dc ---	LED Array	0.05	0.10*	0.50 A
LED200-04*	115/230v Ac ~	LED Array	0.07	0.03*	0.07 A

\*Preset to 230v AC ~

\*2 Bar Rotating

**Kg** 1.0Ac 0.6Dc

50/60 **Hz**

°C -20+45

**IP** 65

**FPM** 60

**RPM** 120

APPROVAL AND CONFORMITIES



ADD THE FOLLOWING LENS CODES TO THE PRODUCT CODE WHEN ORDERING

**01 02**

**INDUSTRIAL**

**FIRE**