

**BEACONS**

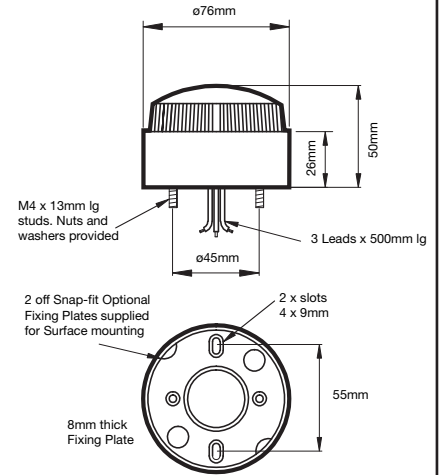


Industrial LED Dual Function >  
LED80 Series

Product overview

The LED80 incorporates 12 ultra bright Surface Mount LEDs offering an economic solution for a wide range of general signalling solutions. Ideally suited for local indication the beacon is controlled by either two wires (flashing mode) or three

(static mode). The beacons are supplied fully assembled and ready for immediate installation. The unit offers two mounting options, either Stud Mount or Surface Mounting using the two piece fixing plate supplied. One plate is fixed to the appropriate surface the other to the beacon, the two plates then 'Snap Fit' together.



**Features**

- LED long life
- Extra bright
- Continuously Rate
- Wide operating voltage
- 180° Visibility
- Economical

**Material**

UV Stable Polycarbonate Lens and Body



Code No:	Voltage:	Light Source:	Current:
LED80-02	10-100v Dc ---	LED Array	90mA Flashing 200mA Static at 24v Dc
LED80-04	85/265v Ac ~	LED Array	20mA

**Kg** 0.14

**°C** -20+55

**IP** 67

**FPM** 60

**INDUSTRIAL**

**FIRE**

APPROVAL AND CONFORMITIES



ADD THE FOLLOWING LENS CODES TO THE PRODUCT CODE WHEN ORDERING

01

02

03

04



**MARINE**