



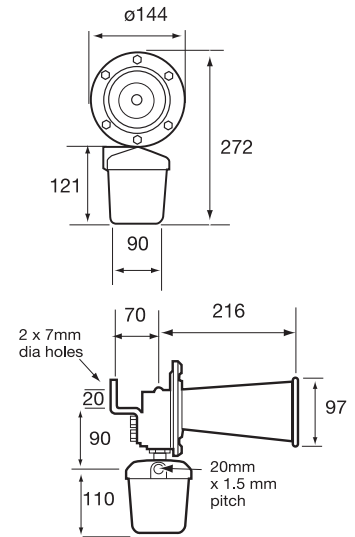
# Acoustic Signals Industrial Hooters > A1 Series

## Product overview

The A1 is a powerful motor driven hooter giving the unique 'Klaxon' sound. The high output, low frequency resonating sound gives a powerful warning tone. With a sound output of 120dB,

it can cut through background noise in almost any environment and is ideal for use as a time signalling alarm or process alarm in the noisiest factory. In addition, the A1 can be used on barges, work boats and dock sides and for other similar marine applications.

## HOOTERS ACOUSTIC



### Features

- Powerful, high output 120dB
- Robust construction
- Weatherproof to IP65

### Material

- Die cast aluminium & zinc
- Mild steel
- ABS Plastic

Code No:	Voltage:	Frequency:	Current:
AHA1-2000	12v Dc ---	420 Hz	5.0 A
AHA1-2001	24v Dc ---	420 Hz	2.30 A
AHA1-2002	48v Dc ---	420 Hz	1.30 A
AHA1-2004	115v Ac ~	420 Hz	0.84 A
AHA1-2003	230v Dc ---	420 Hz	0.80 A
AHA1-2006	230v Ac ~	420 Hz	0.76 A



**Kg 2.0**

**50/60 Hz**

**°C -35+66**

**IP 65**

**ON 2 MIN OFF 5 MIN**

**INDUSTRIAL**

APPROVAL AND CONFORMITIES



**dB 120**

**MARINE**